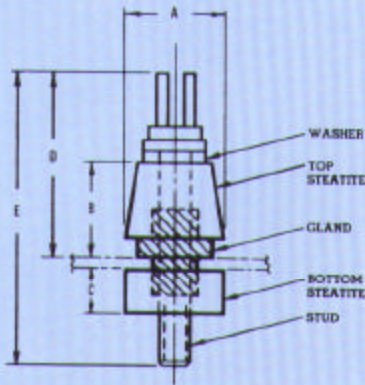


Ceramic Compression Terminals

Top is Glazed, Bottom is Unglazed. Also available with 'Twist-Free' Feature.

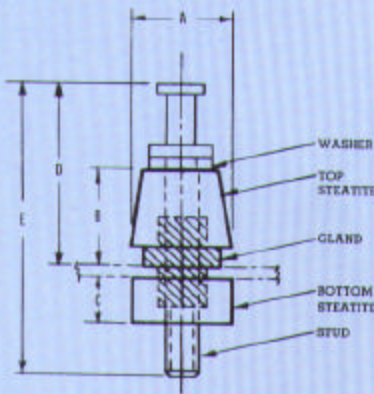


Style 6-B

| GEMP NO. | A | B | C | D | E | Dia. Bottom Steatite | Stud Thread (Bottom) | * RMS Volts | * AMPS | Mtg. Hole | Max. Panel Thickness | Suggested Tightening Torque |
|----------|-----|------|-----|-------|-------|----------------------|----------------------|-------------|--------|---|----------------------|-----------------------------|
| GT-500-A | 1/2 | 7/16 | 1/4 | 27/32 | 1 3/8 | 1/2 | 6-32 | 7,000 | 20 | .250 $\begin{smallmatrix} +.002 \\ -.000 \end{smallmatrix}$ | .060 | 4 1/2" # |
| GT-500-C | 1/2 | 7/16 | 1/4 | 27/32 | 1 3/8 | 3/8 | 6-32 | 6,000 | 20 | .250 $\begin{smallmatrix} +.002 \\ -.000 \end{smallmatrix}$ | .060 | 4 1/2" # |

THIS TERMINAL CAN ALSO BE MADE IN ALL 3-J STYLES

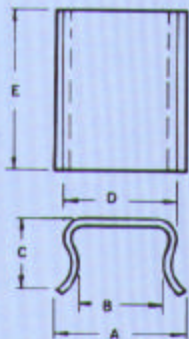
B and D are uncompressed dimensions. *Approximation – for your assistance in design.



Style 6-C

| GEMP NO. | A | B | C | D | E | Dia. Bottom Steatite | Stud Thread (Bottom) | * RMS Volts | * AMPS | Mtg. Hole | Max. Panel Thickness | Suggested Tightening Torque |
|----------|-----|------|-----|-------|-------|----------------------|----------------------|-------------|--------|---|----------------------|-----------------------------|
| GT-500-A | 1/2 | 7/16 | 1/4 | 27/32 | 1 3/8 | 1/2 | 6-32 | 7,000 | 20 | .250 $\begin{smallmatrix} +.002 \\ -.000 \end{smallmatrix}$ | .060 | 4 1/2" # |
| GT-500-C | 1/2 | 7/16 | 1/4 | 27/32 | 1 3/8 | 3/8 | 6-32 | 6,000 | 20 | .250 $\begin{smallmatrix} +.002 \\ -.000 \end{smallmatrix}$ | .060 | 4 1/2" # |

B and D are uncompressed dimensions. *Approximation – for your assistance in design.



Clip Brackets for Transformer Laminations

| PART NO. | A | B | C | D | E |
|----------|------|------|------|------|-------|
| BK-187 | .246 | .195 | .110 | .220 | .620 |
| BK-226 | .406 | .311 | .164 | .367 | 1.093 |
| BK-228 | .593 | .468 | .187 | .531 | 1.281 |
| BK-229 | .320 | .245 | .125 | .312 | .625 |

Made of Spring Steel, these Brackets are designed to clamp laminations in stacks of 3/16", 1/4", 5/16", and 1/2"

GEMP

Great Eastern Metal Products Company

255 East Second Street, Mineola, New York 11501

Tel: (516) 747-0818 Fax: (516) 747-6724