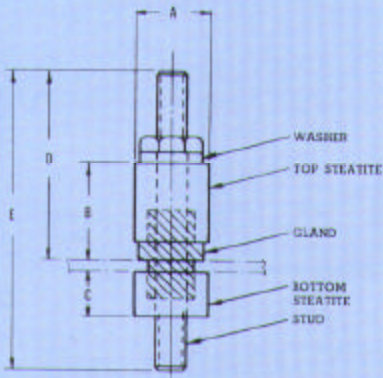


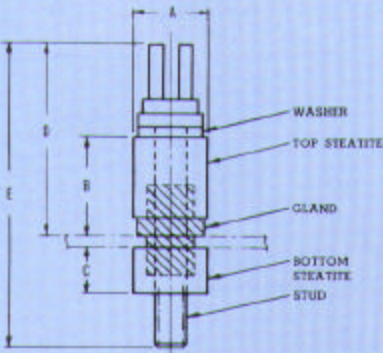
Ceramic Compression Terminals

Top is Glazed, Bottom is Unglazed. Also available with 'Twist-Free' Feature.

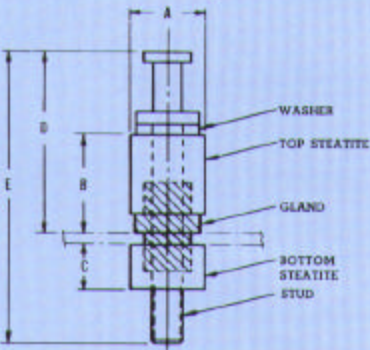
Style 1-A



Style 1-B



Style 1-C



GEMP NO.	A	B	C	D	E	Stud Bottom	Stud Top	* RMS	* AMPS	Mtg. Holes	Max. Panel Thickness	Suggested Tightening Torque
250-A	1/4	11/32	5/32	21/32	1 1/8	4-40	6-32	4,000	10	.213	.037	1 3/4#
250-B	1/4	3/16	5/32	19/32	1	4-40	6-32	4,000	10	.213	.037	1 3/4#
250-C	1/4	9/64	7/64	27/64	15/16	4-40	6-32	4,000	10	.213	.037	1 3/4#
312A-6	5/16	7/32	5/32	5/8	1	4-40	6-32	4,000	10	.213	.037	1 3/4" W
375A-6	3/8	15/32	1/4	29/32	1 9/32	6-32	6-32	6,000	20	.250	.060	4 1/2" W
375B-6	3/8	5/16	1/4	3/4	1 9/32	6-32	6-32	5,000	20	.250	.060	4 1/2" W
375A-8	3/8	15/32	1/4	29/32	1 1/2	6-32	8-32	6,000	20	.250	.060	4 1/2" W
375B-8	3/8	5/16	1/4	3/4	1 1/2	6-32	8-32	5,000	20	.250	.060	4 1/2" W
500B-8	1/2	3/8	1/4	7/8	1 11/16	8-32	8-32	7,000	20	.312	.060	4 1/2" W
500B-10	1/2	3/8	1/4	7/8	1 11/16	8-32	10-32	7,000	20	.312	.060	4 1/2" W
500F-8	1/2	15/32	1/4	1 1/16	1 11/16	8-32	8-32	7,000	20	.312	.060	4 1/2" W
500F-10	1/2	15/32	1/4	1 1/16	1 11/16	8-32	10-32	7,000	20	.312	.060	4 1/2" W

GEMP NO.	A	B	C	D	E	Stud Thread (Bottom)	* RMS Volts	* AMPS	Mtg. Hole	Max. Panel Thickness	Suggested Tightening Torque
GT-187-A	3/16	3/16	3/32	3/8	21/32	3-48	2,000	6	.161 ^{+0.02} / _{-.000}	.025	3/4" W
GT-250-A	1/4	11/32	5/32	5/8	1 1/16	4-40	4,000	10	.164 ^{+0.02} / _{-.000}	.037	1 1/2" W
GT-250-B	1/4	3/16	5/32	13/32	13/16	4-40	4,000	10	.164 ^{+0.02} / _{-.000}	.037	1 1/2" W
GT-250-D	1/4	9/64	7/64	23/64	13/16	4-40	2,000	10	.164 ^{+0.02} / _{-.000}	.037	1 1/2" W
GT-312-A	5/16	7/32	5/32	7/16	13/16	4-40	4,000	10	.213 ^{+0.02} / _{-.000}	.037	1 3/4" W
GT-312-C	5/16	3/8	5/32	21/32	1 1/16	4-40	4,000	10	.213 ^{+0.02} / _{-.000}	.037	1 3/4" W
GT-375-A	3/8	15/32	1/4	27/32	1 3/8	6-32	6,000	20	.250 ^{+0.02} / _{-.000}	.060	4 1/2" W
GT-375-B	3/8	5/16	1/4	23/32	1 3/8	6-32	5,000	20	.250 ^{+0.02} / _{-.000}	.060	4 1/2" W
GT-500-B	1/2	11/32	1/4	3/4	1 3/8	6-32	6,000	20	.250 ^{+0.02} / _{-.000}	.060	4 1/2" W
GT-500-C	1/2	15/32	1/4	7/8	1 3/8	6-32	7,000	20	.250 ^{+0.02} / _{-.000}	.060	4 1/2" W

GT-187-A	3/16	3/16	3/32	3/8	21/32	3-48	2,000	6	.161 ^{+0.02} / _{-.000}	.025	3/4" W
GT-250-A	1/4	11/32	5/32	9/16	1	4-40	4,000	10	.164 ^{+0.02} / _{-.000}	.037	1 1/2" W
GT-250-B	1/4	3/16	5/32	13/32	13/16	4-40	4,000	10	.164 ^{+0.02} / _{-.000}	.037	1 1/2" W
GT-250-D	1/4	5/32	7/64	3/8	13/16	4-40	2,000	10	.164 ^{+0.02} / _{-.000}	.037	1 1/2" W
GT-312-A	5/16	7/32	5/32	3/8	13/16	4-40	4,000	10	.213 ^{+0.02} / _{-.000}	.037	1 3/4" W
GT-375-A	3/8	15/32	1/4	25/32	1 5/16	6-32	6,000	20	.250 ^{+0.02} / _{-.000}	.060	4 1/2" W
GT-375-B	3/8	5/16	1/4	21/32	1 5/16	6-32	5,000	20	.250 ^{+0.02} / _{-.000}	.060	4 1/2" W
GT-500-A	1/2	15/32	1/4	11/16	1 5/16	6-32	7,000	20	.250 ^{+0.02} / _{-.000}	.060	4 1/2" W
GT-500-B	1/2	11/32	1/4	11/16	1 5/16	6-32	6,000	20	.250 ^{+0.02} / _{-.000}	.060	4 1/2" W

B and D are uncompressed dimensions. *Approximation - for your assistance in design.

GEMP

Great Eastern Metal Products Company

255 East Second Street, Mineola, New York 11501

Tel: (516) 747-0818 Fax: (516) 747-6724