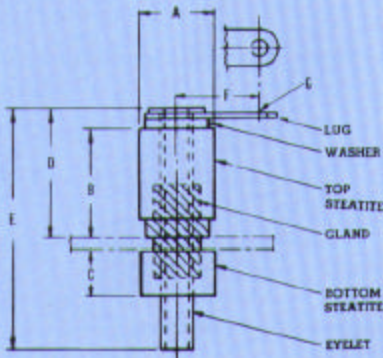


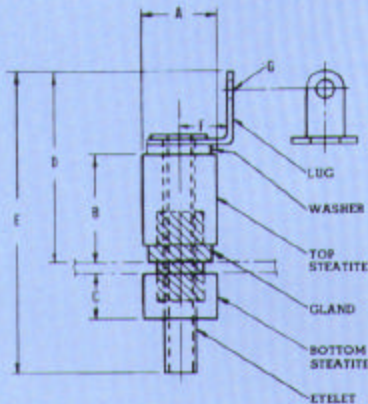
Ceramic Compression Terminals

Top is Glazed, Bottom is Unglazed. Also available with 'Twist-Free' Feature.



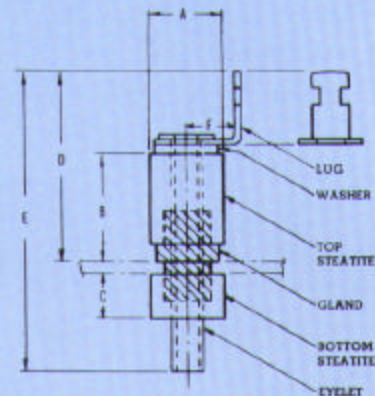
Style 3-J straight

GEMP NO.	A	B	C	D	E	F	G	* Lug No.	Lug Mat'l. Thickness	Eyelet I.D.	* RMS Volts	Mtg. Hole	Max. Panel Thickness
GT-187-B	3/16	3/16	3/32	9/32	3/8	3/16	3/64	341	.015	.080	2,000	.161 $\begin{smallmatrix} +.002 \\ -.000 \end{smallmatrix}$.025
GT-250-C	1/4	3/16	5/32	1/4	1/2	5/16	.072	75	.015	.089	4,000	.164 $\begin{smallmatrix} +.002 \\ -.000 \end{smallmatrix}$.037
GT-250-E	1/4	9/64	7/64	7/32	7/16	5/16	.072	75	.015	.085	2,000	.164 $\begin{smallmatrix} +.002 \\ -.000 \end{smallmatrix}$.037
GT-312-B	5/16	7/32	5/32	9/32	1/2	5/16	.072	75	.020	.089	2,000	.164 $\begin{smallmatrix} +.002 \\ -.000 \end{smallmatrix}$.037



Style 3-J bent

GEMP NO.	A	B	C	D	E	F	G	* Lug No.	Lug Mat'l. Thickness	Eyelet I.D.	* RMS Volts	Mtg. Hole	Max. Panel Thickness
GT-187-B	3/16	3/16	3/32	3/8	1/2	.096	.052	416	.015	.080	2,000	.161 $\begin{smallmatrix} +.002 \\ -.000 \end{smallmatrix}$.025
GT-250-C	1/4	3/16	5/32	1/2	3/4	.125	.080	401	.0159	.089	4,000	.164 $\begin{smallmatrix} +.002 \\ -.000 \end{smallmatrix}$.037
GT-250-E	1/4	9/64	7/64	7/16	11/16	.125	.080	401	.0159	.085	2,000	.164 $\begin{smallmatrix} +.002 \\ -.000 \end{smallmatrix}$.037
GT-312-B	5/16	7/32	5/32	3/4	1 1/16	.150	1/16x5/64	124	.025	.095	4,000	.213 $\begin{smallmatrix} +.002 \\ -.000 \end{smallmatrix}$.037
GT-375-C	3/8	5/16	1/4	3/4	1 5/32	.182	5/64	145	.020	.098	5,000	.250 $\begin{smallmatrix} +.002 \\ -.000 \end{smallmatrix}$.060
GT-600-B	1/2	5/16	1/4	25/32	1 1/32	.156	.145	376	.032	.098	7,000	.250 $\begin{smallmatrix} +.002 \\ -.000 \end{smallmatrix}$.060



Style 3-J notched

GEMP NO.	A	B	C	D	E	F	* Lug No.	Lug Mat'l. Thickness	Eyelet I.D.	* RMS Volts	Mtg. Hole	Max. Panel Thickness
GT-187-B	3/16	3/16	3/32	7/16	9/16	.093	445	.021	.080	2,000	.161 $\begin{smallmatrix} +.002 \\ -.000 \end{smallmatrix}$.025
GT-250-C	1/4	3/16	5/32	1/2	3/4	.141	303	.032	.089	4,000	.164 $\begin{smallmatrix} +.002 \\ -.000 \end{smallmatrix}$.037
GT-250-E	1/4	9/64	7/64	7/16	11/16	.141	303	.032	.085	2,000	.164 $\begin{smallmatrix} +.002 \\ -.000 \end{smallmatrix}$.037
GT-312-B	5/16	7/32	5/32	1/2	3/4	.141	303	.032	.089	4,000	.213 $\begin{smallmatrix} +.002 \\ -.000 \end{smallmatrix}$.037
GT-375-C	3/8	5/16	1/4	5/8	1 1/32	.141	303	.032	.098	5,000	.250 $\begin{smallmatrix} +.002 \\ -.000 \end{smallmatrix}$.060
GT-600-B	1/2	3/8	1/4	3/4	1 1/16	3/16	405	.032	.098	7,000	.250 $\begin{smallmatrix} +.002 \\ -.000 \end{smallmatrix}$.060

B and D are uncompressed dimensions. *Approximation – for your assistance in design.

GEMP

Great Eastern Metal Products Company

255 East Second Street, Mineola, New York 11501

Tel: (516) 747-0818 Fax: (516) 747-6724